

## Cordless vacuum type

R01 D

R18 D

R24 D

The new wireless  
design



# Cordless vacuum type R01 D

Glass-fibre  
reinforced housing

Blower

Residual dust filter,  
dust class H

Battery system

Bag filter,  
dust class M

Suction connection  
(sealable)

Foot lever for emptying



<https://www.ruwac.de/produkte/akkusauger>

# High-powered, without the cable

- Variety of versions thanks to modular system
  - Glass-fibre reinforced housing
- Available with residual dust filter, dust class H
  - Different disposal systems
- Battery run time up to 120 minutes
- Available with exchangeable battery and charging station
- Suitable for extracting flammable dusts
- Blower can be individually activated

**R01 D**  
when cleaning  
between pallets



**R01 D**  
with floor suction device  
in asphalt mixing plant



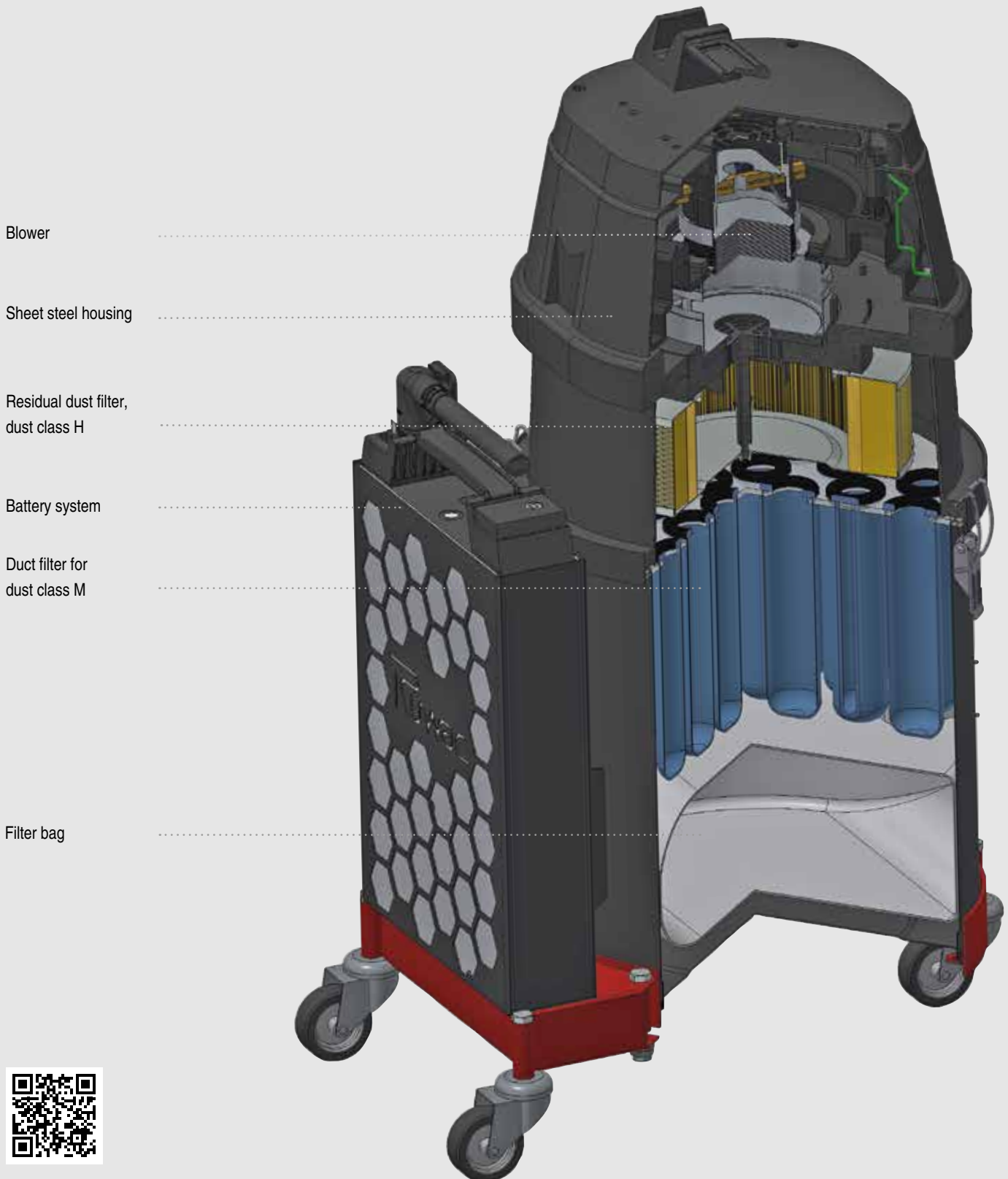
**R01 D**  
for machine cleaning



**R01 D**  
with floor suction device  
for warehouse cleaning



# Cordless vacuum type R18 D





# Compact and easy to use

- High-quality stainless steel housing
  - Easy to empty and clean
- Compact, easy to handle, and lightweight
- Battery run time at least 120 minutes
- Available with exchangeable battery and charging station
- Suitable for extracting flammable dusts

**R18 D**  
Cleaning between photovoltaic systems



**R18 D**  
Vacuuming grain residue from narrow joints



**R18 D**  
Vacuuming difficult to access areas



**R18 D**  
Cleaning exterior surfaces



# Cordless vacuum type R24 D

Blower

Glass-fibre reinforced  
housing

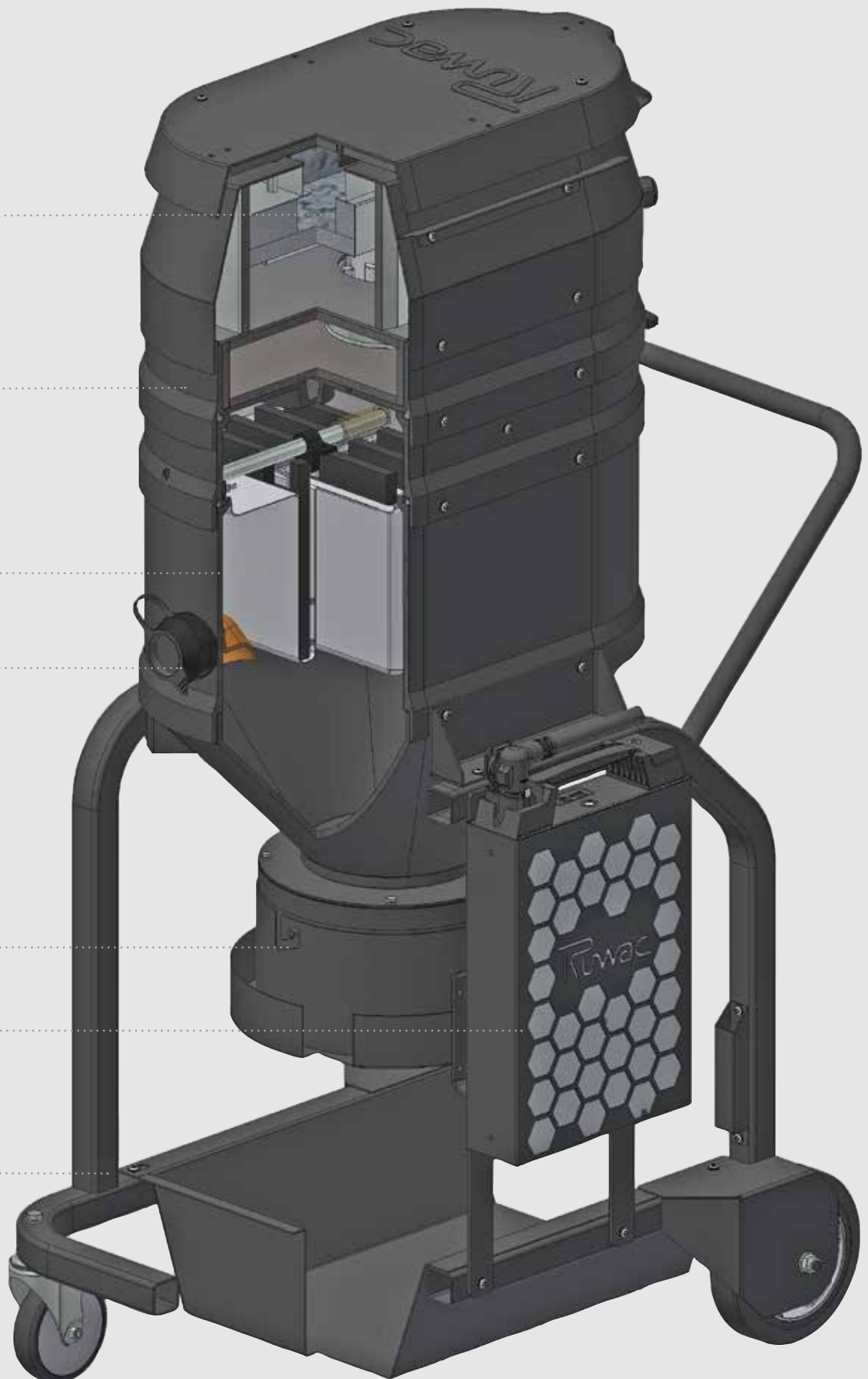
Bag filter for dust  
class M

Suction connection  
(sealable)

Holds Longopac®  
or poly bag

Battery system

Chassis



# A perfect combination

- Dust-free disposal thanks to the innovative Longopac®system
  - Quickly exchange the Longopac®
- Variety of versions thanks to modular system
  - Glass-fibre reinforced housing
- Available with residual dust filter, dust class H
- Battery run time up to 120 minutes
- Available with exchangeable battery and charging station
- Suitable for extracting flammable dusts
- Blower can be individually activated

## Longopac® hose can be exchanged in just 30 seconds:



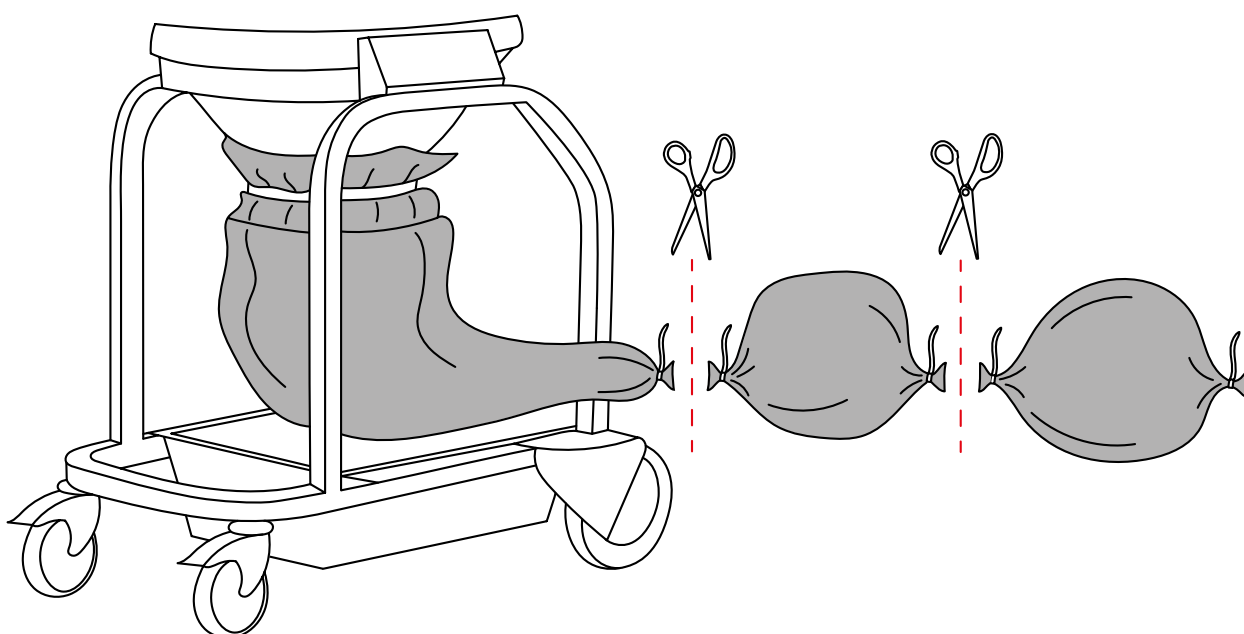
1. Insert the Longopac® system. Seal with a cable tie at the end.



2. Retighten the Longopac® hose during operation and tie with a cable tie.



3. Dispose of filled bag, continue with step 1.



Variant with poly bag



# Technical data

	<b>R01 D</b>	<b>R24 D</b>	<b>R18 D</b>
Housing	Glass-fibre reinforced	Glass-fibre reinforced	Stainless steel
Motor power (kW)	1.9	1.9	0.95
Voltage (V)	48	48	48
Protection class (IP)	x4	x4	x4
Vacuum (mbar)	-210	-210	-220
Air flow rate (m³/h) (measured with 3 m hose)	330	330	221
Sound pressure level (dB(A)) (DIN EN ISO 3744)	72	72	75
Bag filter for dust class M (m²)	1.2	1.2	-
Cellular filter for dust class M (m²)	1.0	1.0	-
Duct filter for dust class M (m²)	-	-	0.8
Residual dust filter for dust class H (m²)	3.2	3.2	1.1
Height (mm) (bag filter 1.2 m² for dust class M)	966	1,487	-
Height (mm) (cellular filter 1.0 m² for dust class M)	966	1,487	-
Height (mm) (bag filter 1.2 m² for dust class H)	1,010	1,591	-
Height (mm) (cellular filter 1.0 m² for dust class H)	1,010	1,591	-
Height (mm) (duct filter 0.8 m² for dust class H)	-	-	860
Width (mm)	551	656	530
Length (mm)	817	937	425
Weight (kg)	75	110	32.5
Capacity (liters)	35	approx. 35	21
Suction connection (mm)	50	50	50

## Simple battery exchange



LED indicates the charge status



Disconnect the plug and easily remove the battery



Insert the new battery directly



Charge the battery

**Ruwac**  
Industriesauger



**Ruwac**  
**Industriesauger GmbH**  
Westhoyeler Str. 25  
49328 Melle

0 52 26 - 98 30-0  
www.ruwac.de  
ruwac@ruwac.de



IEC 60335-2-69\_2021



DIN EN 60335-2-69, Ann. AA